



Slurry Mixers/Pumps





- Two point linkage c/w quick attach lifting bar
- Mixing spout revolves through a wide arc allowing slurry to be mixed in any direction including underneath tractor – The jetting nozzle can be locked in a range of up to 26 positions
- Depth can be adjusted in tank hydraulically using the centre ram
- Due to the unique arrangement of splitter box at pump outlet there is no loss of performance when using the pump for top filling
- Standard sizes available: 5' (1.7m); 6'6" (1.98m); 7'6" (2.29m); 8' (2.44m); 9' (2.74m); 10' (3.05m); 11' (3.35m); 12' (3.66m) – other sizes available on request.
- All pumps come fully galvanised
- Raising and lowering into tank is controlled hydraulically from tractor seat
- Static models without lift arms and height adjusting ram are also available for mounting into tank

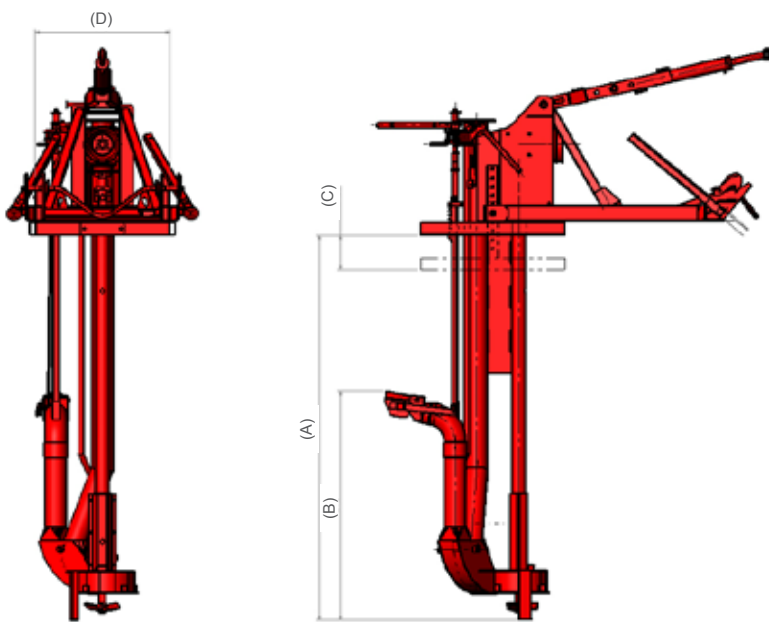






The 3000 SU has the same great performance as the Super 3000 but is available as a 3 point linkage machine with a hydraulic top link. The other main features are:

- Mixing spout revolves through a wide arc allowing slurry to be mixed in any direction including underneath tractor – The jetting nozzle can be locked in a range of up to 26 positions
- Depth can be controlled using the frame which adjusts using pins through a smaller range of adjustment
- Due to our unique arrangement of splitter box at pump outlet there is no loss of performance when using the pump for top filling
- Sizes available: 6'6" (1.98m); 7'6" (2.29m) and 8' (2.44m). Other sizes are available upon request but there is a maximum mixing depth of 8ft due to ground clearance issues
- All pumps come fully galvanised painted finish available upon request
- Raising and lowering into tank is controlled hydraulically from tractor seat
- Can be transported without removing PTO shaft

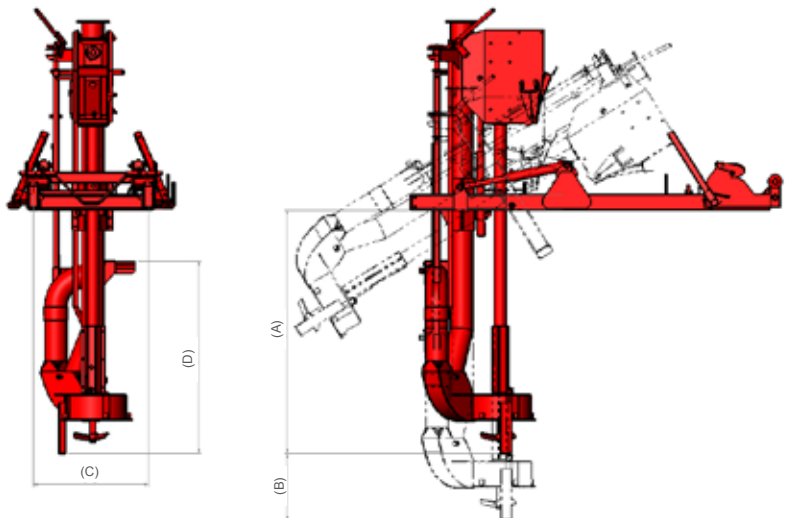


Super 3000SU			
A	(1.98m) 6'6"	(2.29m) 7'6"	(2.44m) 8'0"
B	1240mm	1420mm	1540mm
C	230mm	230mm	230mm
D	880mm	880mm	880mm

- Two point linkage c/w quick attach lifting bar
- Mixing spout revolves through a wide arc allowing slurry to be mixed in any direction including underneath tractor – The jetting nozzle can be locked in a range of up to 26 positions
- Depth can be adjusted in tank hydraulically using the centre ram
- Hydraulic control of centre pivoting action allows easier placement into tank
- Due to the unique arrangement of splitter box at pump outlet there is no loss of performance when using the pump for top filling
- Standard sizes 6' 6" (1.98m) available: 7'6" (2.29m); 8' (2.44m); 9' (2.74m)
- All pumps come fully galvanised
- Raising and lowering into tank is controlled hydraulically from tractor seat
- Machine can be parked in either sitting down or stand up position
- Static models without lift arms and height adjusting ram are also available in sizes up to 12' (3.66m) for mounting into tank

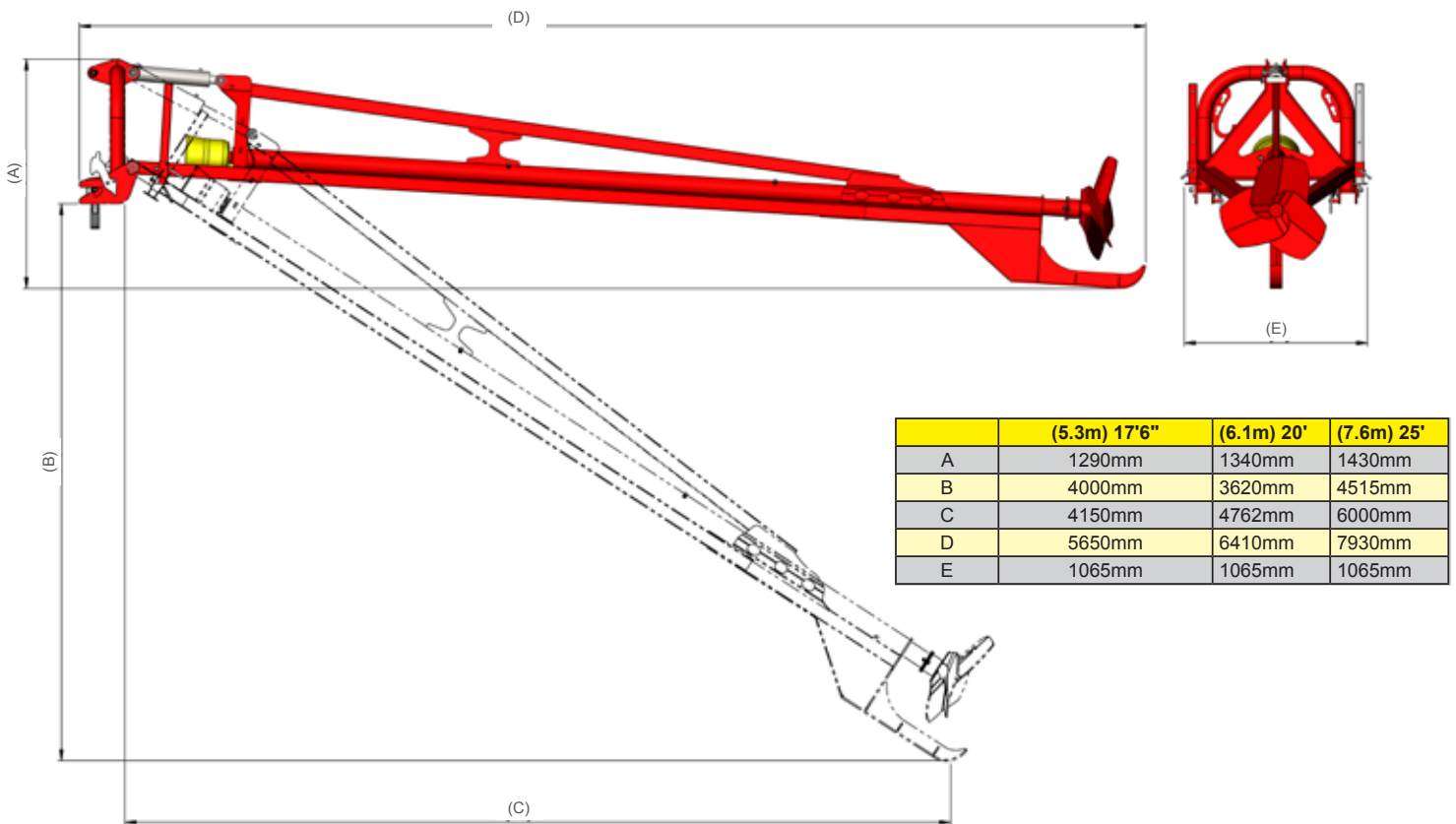


Super 3800/4800			
A	(2.29m) 7'6"	(2.44m) 8'	(2.74m) 9'
B	500	500	500
C	860	860	860
D	1440	1530	1680



- Easy adjustment of inclination by double acting hydraulic cylinder.
- Quick attach lift arm coupling.
- 650mm Impeller.
- Rounded park stand to prevent damage to lagoon lining.





Optional Extras

Slurry Pumps

Lift arms for static pump up to (2.44m) 8' only

D.A. ram for static pump

5" manual fill valve c/w Bauer coupling. Specify male/female.

6" manual fill valve c/w Bauer coupling. Specify male/female.

Hydraulic Actuator for top fill valve in lieu of manual

Hydraulic Control of rotation & deflector angle (piped to tractor)

Hydraulic Control of rotation & deflector angle c/w valve bank

Top fill pipe galvanised (6m)

Pipe stand galvanised

5" Half coupling with 90° heavy bend & tail piece

5" Bauer Half coupling. Specify male/female

5" 90° heavy bend & tail piece

2-way Y-piece c/w 1 manual valve

2-way Y-piece c/w 2 manual valves

Slurry Mixer

Wide Angled PTO

Revision 03 – November 2022

In accordance with our policy of continued development we reserve the right to alter specification and design without notice.



NC Engineering (Hamiltonsbawn) Ltd
2 Killyrudden Road
Hamiltonsbawn
Co. Armagh
Northern Ireland
BT61 9SF

Tel: 028 38 871970
Fax: 028 38 870362

www.nc-engineering.com

